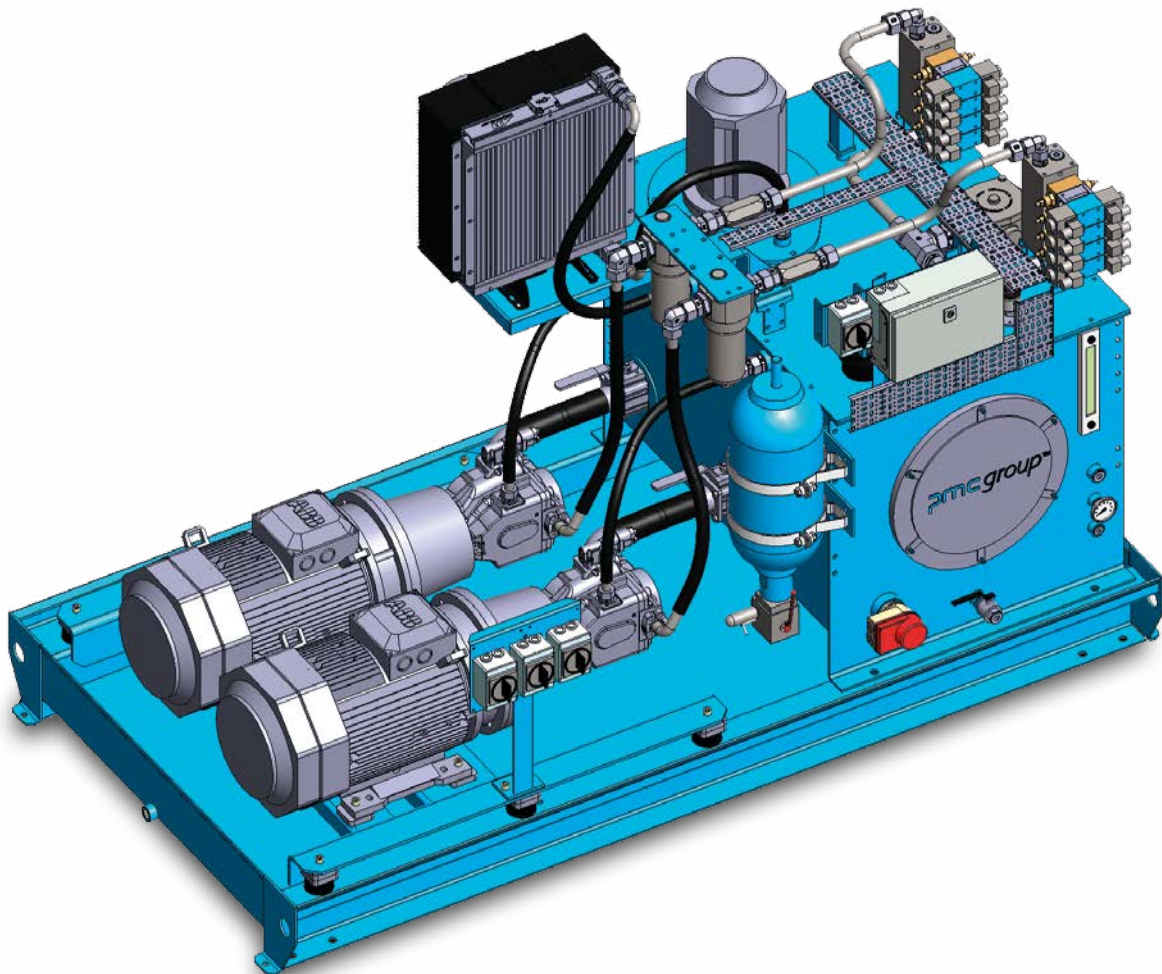


Hydraulic Power Unit

PMC HPU – Modular Power Unit Series

2014

pmcgroup™



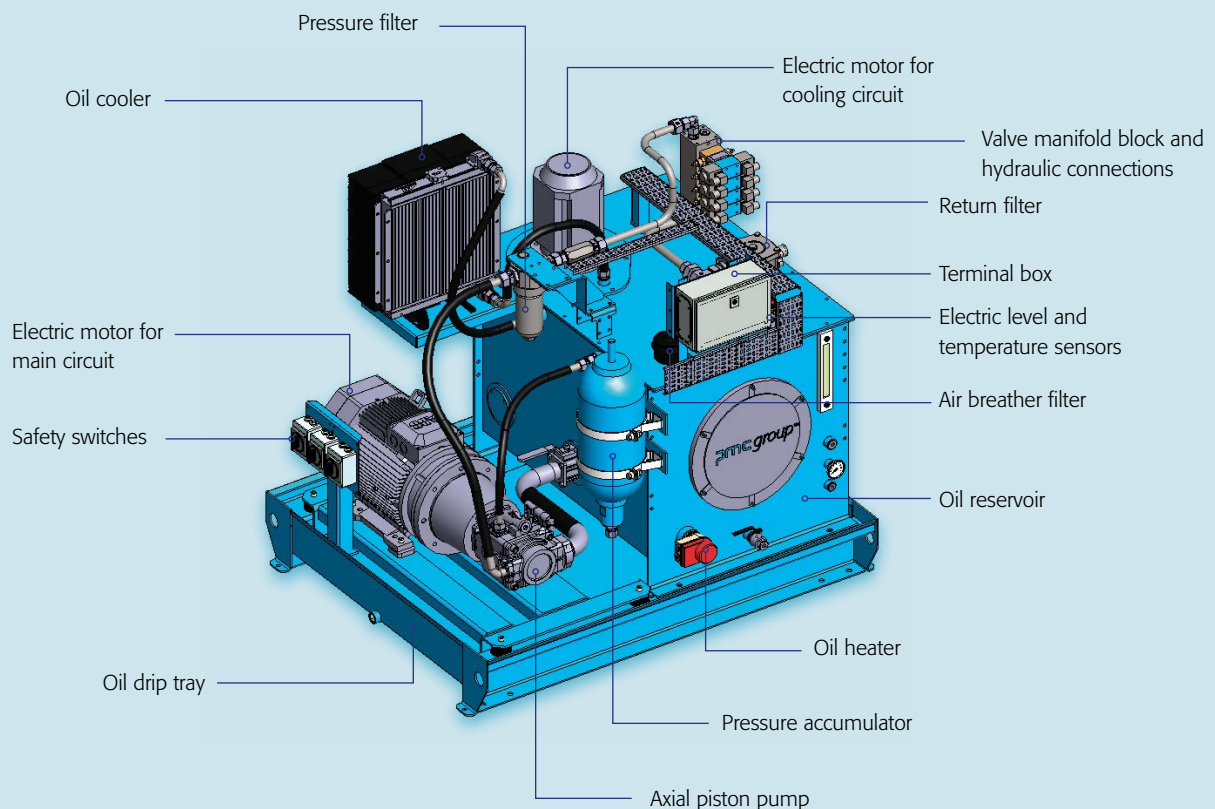
The main components of hydraulic power units

Modular power unit series for various applications

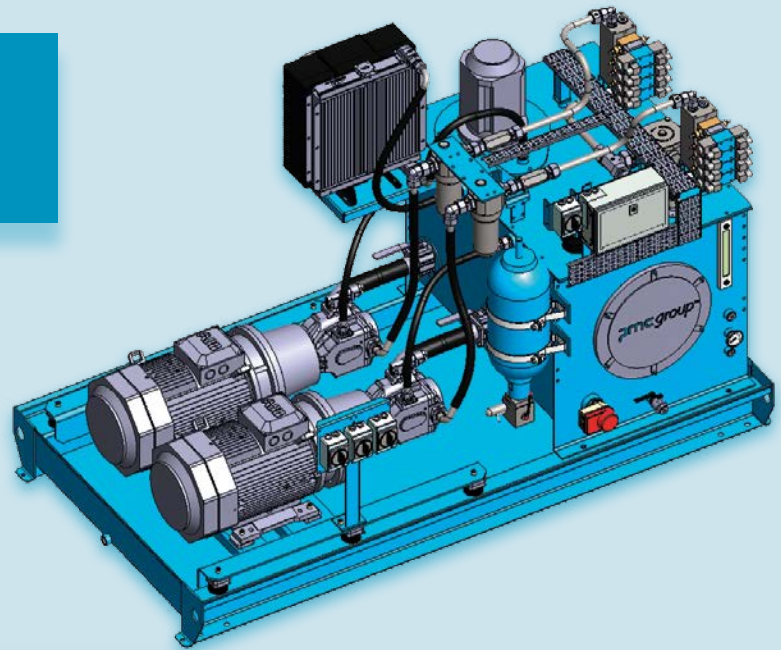
PMC Polarteknik supplies hydraulic power units for various demanding applications. Modular structure enables the best solution for each application. Available with 1 or 2 pumps or as a narrow construction with longitudinal electric motor installation for limited spaces. Oil reservoir sizes 35, 80, 160, 250 or 400. We can also design power units to suit customers' special requirements.

Easy-to-install power units are comfortable to operate and easy to maintain. The structure of all our power units is based on a standardized component selection, which ensures short delivery time and good functionality.

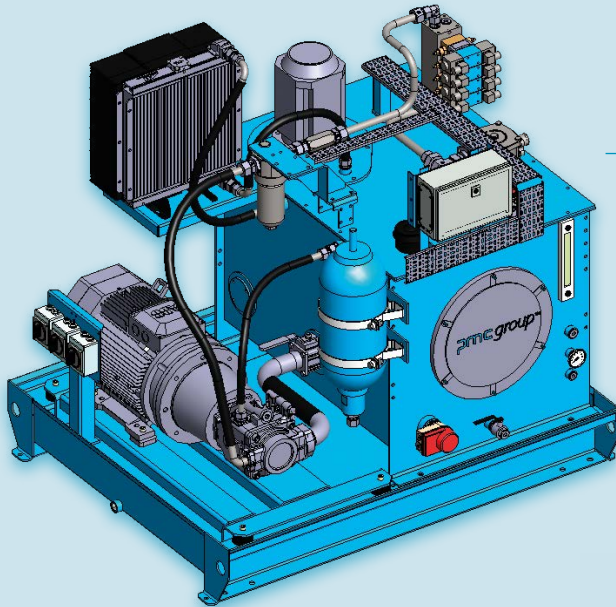
- Oil reservoir and oil drip tray
 - painted in standard or customer-specific colour
 - available as a narrow construction with longitudinal el.motor installation or short version with transverse el.motor installation
 - separate legs available for raised installation needs
- Electric motors
- Axial piston pumps
- Gear pumps
- Pressure and return filters
- System stack valves Cetop 3 and 5
- Screw-in cartridge valves
- Subplates Cetop 3 and 5
- Air or water cooler
- Pressure accumulator with optional safety block
- Piping
- Oil heater
- Oil level and temperature measuring
 - visual
 - electric switch
 - electric analog transmitters
- Electrification
 - terminal block for enclosure
 - safety switch for electric motor
- Technical documentation
 - declaration of incorporation of partly completed machinery (Machinery Directive 2006/42/EC, Annex II., sub. B)
 - hydraulic diagram
 - dimensional drawing
 - parts list



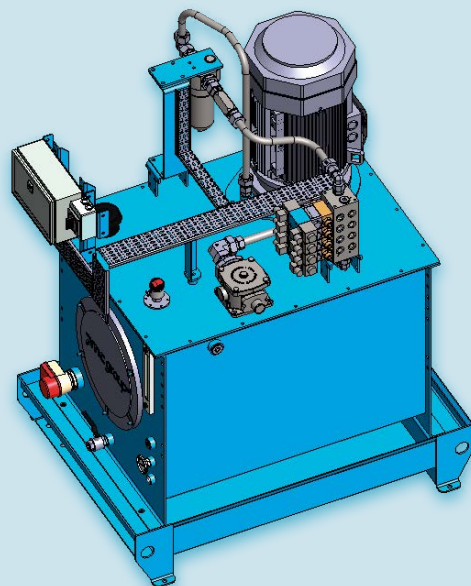
PMC HPU400-S2



PMC HPU400-S1



PMC HPU400-N



PMC POLARTEKNIK OY AB

Mestarintie 6
01730 Vantaa, FINLAND
puh. +358 (0)20 770 9700
fax +358 (0)20 770 9701
www.pmcpolarteknik.com

The logo for pmcgroup™ features the letters 'pmc' in a bold, blue, sans-serif font, followed by the word 'group' in a lighter, grey, sans-serif font. A small trademark symbol (TM) is positioned at the top right of the word 'group'.

www.pmcpolarteknik.com